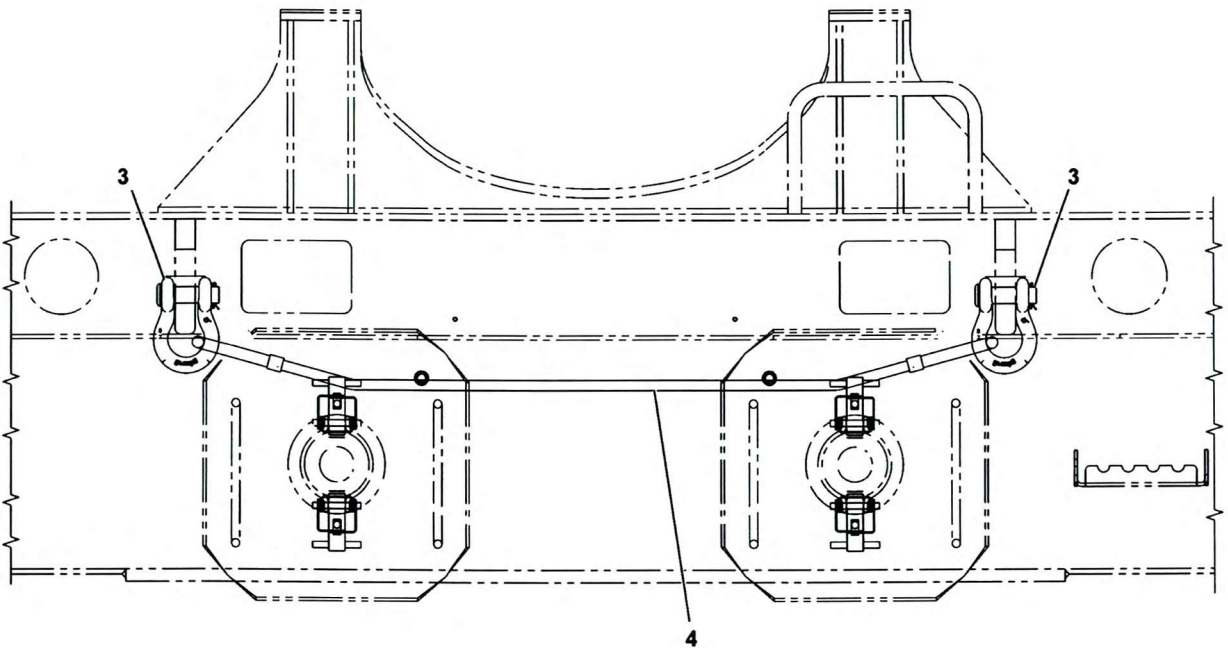
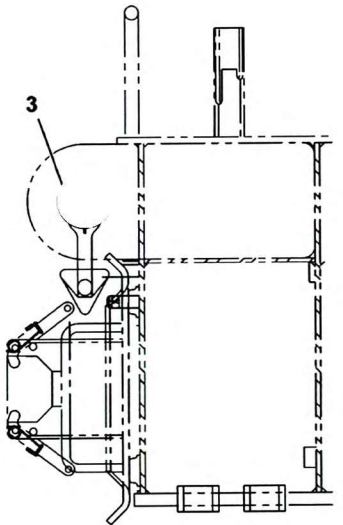


*Manitowoc Crane Group*



FRONT O/R BOX

2159110098

(SHEET 1 OF 1)

Page 576